

V164B Technical Data Sheet

		CONTROL SYSTEM	SELF EXCITED
INSULATION SYSTEM	CLASS H	A.V.R.	AS440
PROTECTION	IP23	VOLTAGE REGULATION	±1.0 %
WINDING PITCH	2/3	SUSTAINED SHORT CIRCUIT	NOT
WINDING LEADS	12	WAVEFORM DISTORTION	NO LOAD < 1.5% NON-DISTORTING BALANCED LINEAR LOAD < 5.0%
MAXIMUM / OVERSPEED	2250 Rev/Min	TELEPHONE INTERFERENCE: THF	THF < 2%
		TELEPHONE INTERFERENCE: TIF	TIF < 50

50Hz CLASS "H"

RATINGS	Winding 311 / 0.8 Power Factor							Winding 05		
	Cont.125K/40°C				Cont.125K/40°C			Cont.125K/40°C		
Duty/Ambient T°. RISE	3 PHASE				1 PHASE			1 PHASE		
PHASE										
SERIES STAR	380	400	415	440				Power Factor		
PARALLEL STAR	190	200	208	220				0.8	1	
SERIES DELTA	220	230	240	254						
DOUBLE DELTA					220	230	240	220, 230, 240		
SLG164B	KVA	11	11	11	8.5	6.4	6.4	6.4	7.4	8.4
	KW	8.8	8.8	8.8	6.8	5.1	5.1	5.1	4.9	8.4

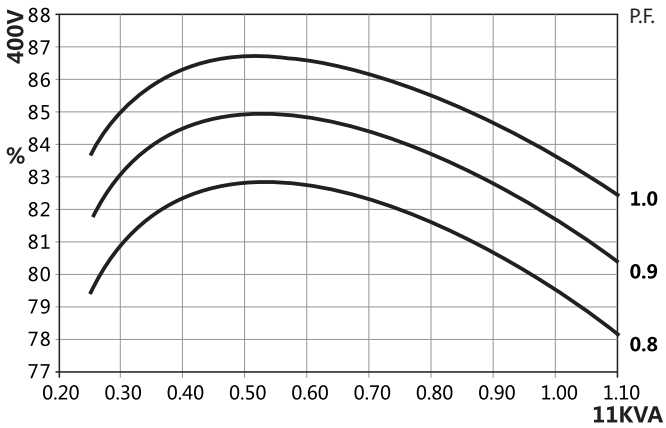
60Hz CLASS "H"

RATINGS	Winding 311 / 0.8 Power Factor							Winding 06		
	Cont.125K/40°C				Cont.125K/40°C			Cont.125K/40°C		
Duty/Ambient T°. RISE	3 PHASE				1 PHASE			1 PHASE		
PHASE										
SERIES STAR	416	440	460	480				Power Factor		
PARALLEL STAR	208	220	230	240				0.8	1	
SERIES DELTA	240	254	266	277						
DOUBLE DELTA					220	230	240	220, 230, 240		
SLG164B	KVA	13	13.8	13.8	13.8	6.9	7.2	7.5	8.8	11.0
	KW	10.4	11	11	11	5.5	5.8	6	7.0	11.0

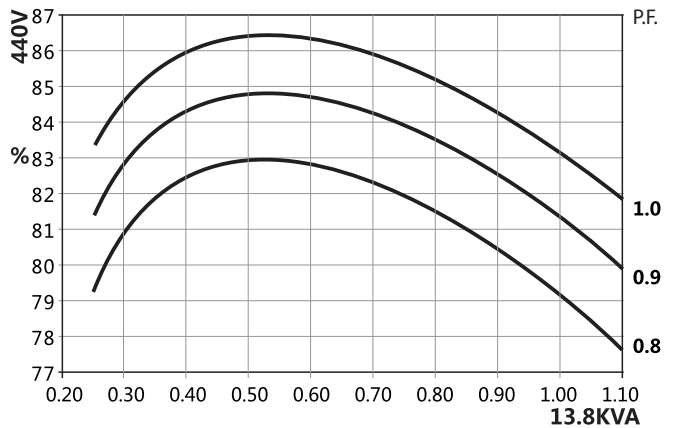
REACTANCES , TIME CONSTANTS (s) : CLASS : H / 400 V

	SLG164B	
	50Hz/400V	60Hz/440V
Xd DIR. AXIS SYNCHRONOUS	1.78	2.21
X'd DIR. AXIS TRANSIENT	0.18	0.23
X''d DIR. AXIS SUBTRANSIENT	0.11	0.14
Xq QUAD. AXIS REACTANCE	0.88	1.10
X''q QUAD. AXIS SUBTRANSIENT	0.20	0.25
XL LEAKAGE REACTANCE	0.07	0.09
X2 NEGATIVE SEQUENCE	0.17	0.21
X0 ZERO SEQUENCE	0.08	0.10
T'd TRANSIENT TIME CONST. (s)	0.014	
T''d SUB-TRANSTIME CONST. (s)	0.0035	
T'do O.C. FIELD TIME CONST. (s)	0.25	
Ta ARMATURE TIME CONST. (s)	0.0045	
SHORT CIRCUIT RATIO	1/ Xd	

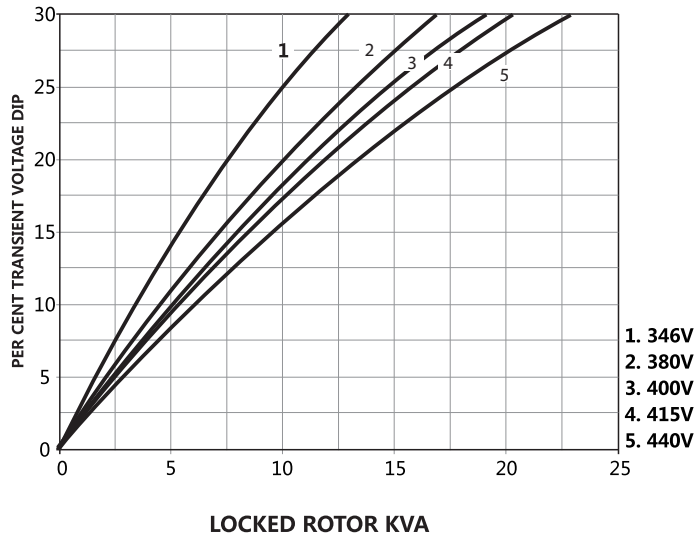
50Hz 400V Winding 311 THREE PHASE EFFICIENCY CURVES



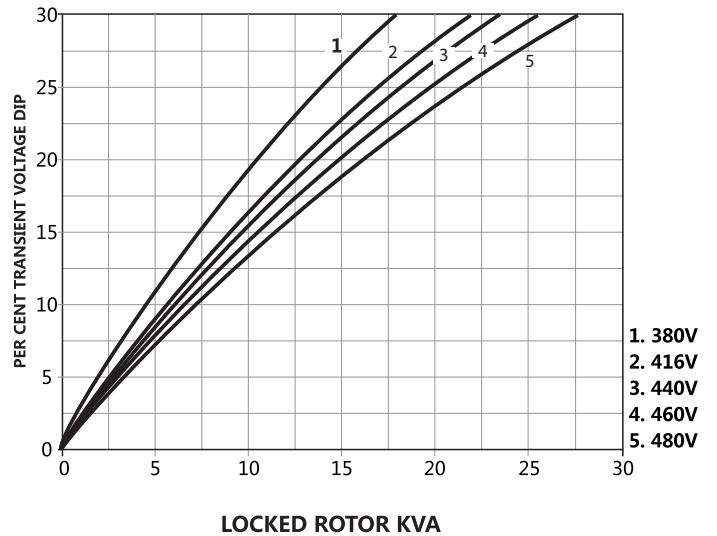
60Hz 440V Winding 311 THREE PHASE EFFICIENCY CURVES



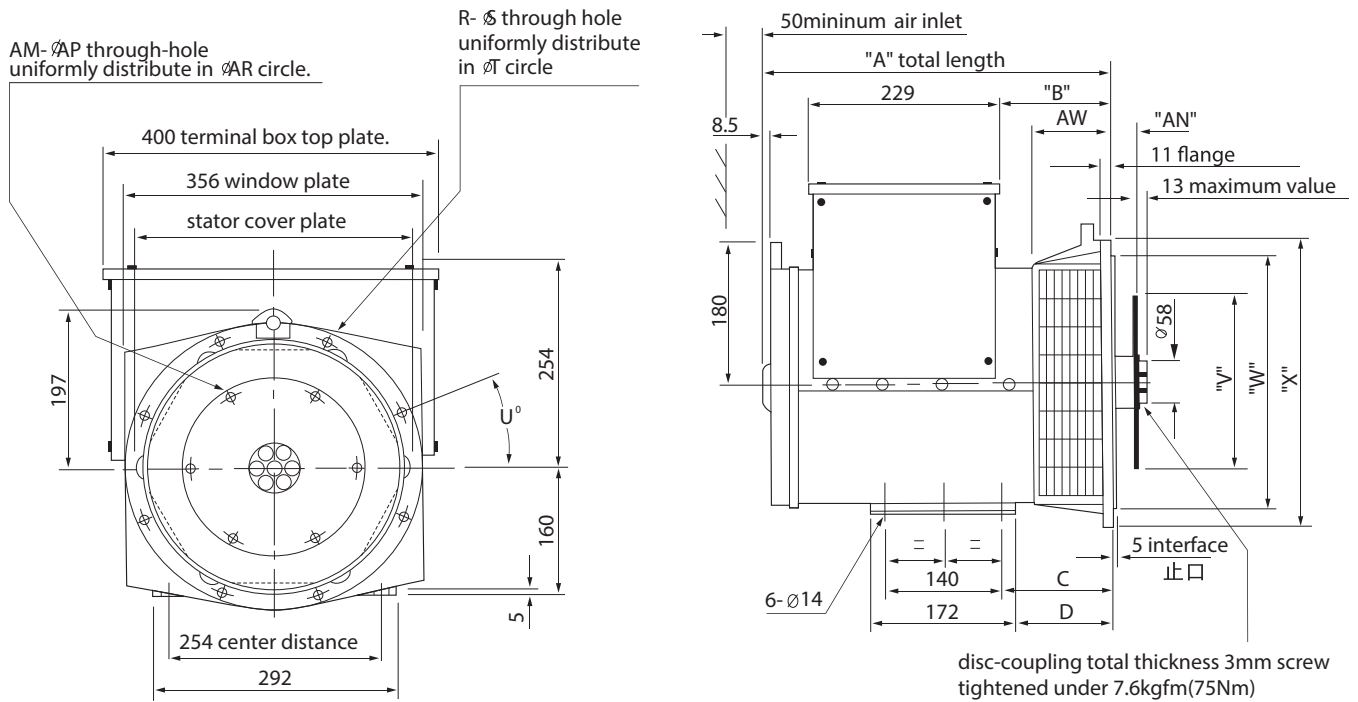
50Hz 400V Winding 311 Locked Rotor Motor Starting Curve



60Hz Winding 311 Locked Rotor Motor Starting Curve



Single bearing external dimension



DIMENSION (mm)

Model	A			B		
	SAE2	SAE3/5	SAE4	SAE2	SAE3/5	SAE4
SLG164B	416.3	403.5	391.5	146.3	119	107

FLANGE (mm)

S.A.E.NO.	AW	R	S	T	U $^{\circ}$	W	X	C	D
3	105	8	11	428.6	15	409.5	451	145	129
4	93	8	11	381.0	15	361.9	402	133	117
5	105	8	11	333.3	22.5	314.3	356	145	129
6*	124.7	8	11	285.8	22.5	266.7	308	164.7	148.7

DISC COUPLING (mm)

S.A.E.NO.	AN	AM	AP	AR	V
6.5	30.16	6	8.7	200.0	215.8
7.5	30.16	8	8.7	222.2	241.2
8	61.9	6	11	244.5	263.4
10	53.98	8	11	295.3	314.2
11.5	39.68	8	11	333.4	352.3

SAE NO SELECTOR CHOWT

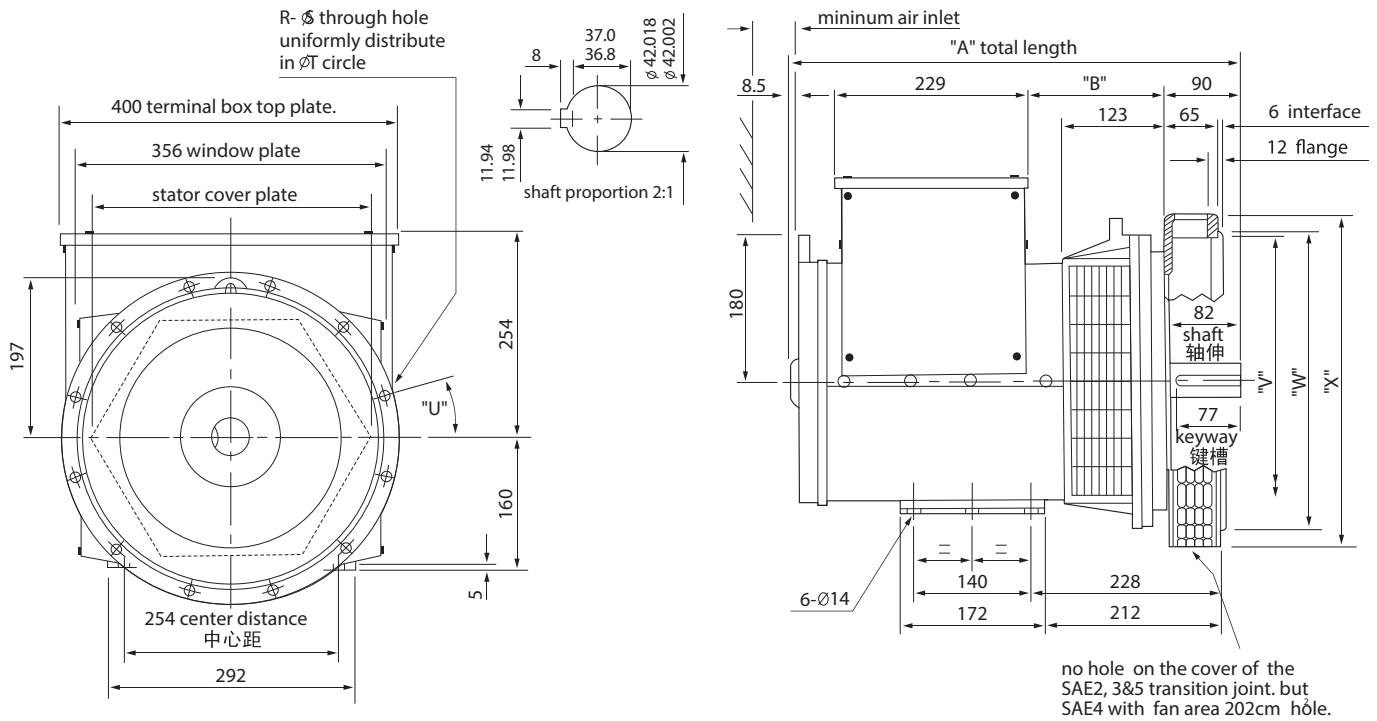
	SAE 6.5	SAE 7.5	SAE 8	SAE 10	SAE 11.5
SAE 3	•	•		•	•
SAE 4		•	•	•	
SAE 5	•	•			
SAE 6	•				

TRANSPORTATION DATA

Model	N.W(kg)	G.W(kg)	LXWXH(cm)	QTY FOR 20FT CONTAINER
SLG164B	90	102	58x56x62	90

Note:* "A" dimension should extend 31.77mm corresponding to an additional spacer plate added on SAE6.

Double bearing external dimension



DIMENSION

Model	A	B
SLG164B	511.5	137

FLANGE

S.A.E.NO.	R	S	T	U°	V	W	X
3	12	11	428.6	15	396	409.5	451
4	12	11	381.0	15	352	361.9	403
5	8	11	333.3	22.5	301	314.3	356

TRANSPORTATION DATA

Model	N.W(kg)	G.W(kg)	LXWXH(cm)	QTY FOR 20FT CONTAINER
SLG164B	98	108	64x56x62	90

ISO9001



ITALIAN TECHNOLOGY

www.voltaggio.ae