

V164C Technical Data Sheet

	CLASS H	CONTROL SYSTEM	SELF EXCITED
INSULATION SYSTEM	CLASS H	A.V.R.	AS440
PROTECTION	IP23	VOLTAGE REGULATION	±1.0 %
WINDING PITCH	2/3	SUSTAINED SHORT CIRCUIT	NOT
WINDING LEADS	12	WAVEFORM DISTORTION	NO LOAD < 1.5% NON-DISTORTING BALANCED LINEAR LOAD < 5.0%
MAXIMUM / OVERSPEED	2250 Rev/Min	TELEPHONE INTERFERENCE: THF	THF < 2%
		TELEPHONE INTERFERENCE: TIF	TIF < 50

0Hz CLASS "H"

RATINGS		Winding 311 / 0.8 Power Factor						Winding 05		
Duty/Ambient T°. RISE		Cont.125K/40°C				Cont.125K/40°C		Cont.125K/40°C		
PHASE		3 PHASE				1 PHASE		1 PHASE		
SERIES STAR		380	400	415	440				Power Factor	
PARALLEL STAR		190	200	208	220			0.8	1	
SERIES DELTA		220	230	240	254					
DOUBLE DELTA						220	230	240	220, 230, 240	
SLG164C	KVA	13.5	13.5	13.5	11	7.8	7.8	7.8	9.0	11.0
	KW	10.8	10.8	10.8	8.8	6.2	6.2	6.2	7.2	11.0

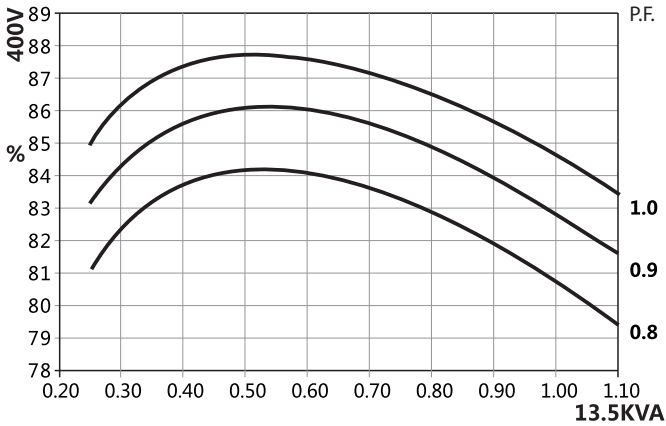
0Hz CLASS "H"

RATINGS		Winding 311 / 0.8 Power Factor						Winding 06		
Duty/Ambient T°. RISE		Cont.125K/40°C				Cont.125K/40°C		Cont.125K/40°C		
PHASE		3 PHASE				1 PHASE		1 PHASE		
SERIES STAR		416	440	460	480				Power Factor	
PARALLEL STAR		208	220	230	240			0.8	1	
SERIES DELTA		240	254	266	277					
DOUBLE DELTA						220	230	240	220, 230, 240	
SLG164C	KVA	16	16.9	16.9	16.9	8.5	8.9	9.3	10.8	13.5
	KW	12.8	13.5	13.5	13.5	6.8	7.1	7.4	8.6	13.5

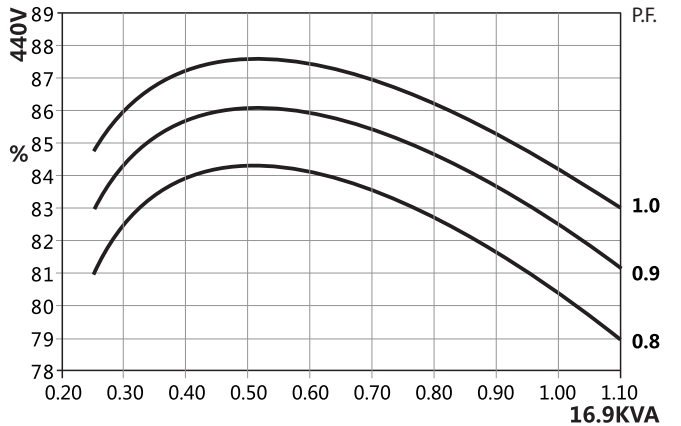
REACTANCES , TIME CONSTANTS (s) : CLASS : H / 400 V

	SLG164C	
	50Hz/400V	60Hz/440V
Xd DIR. AXIS SYNCHRONOUS	1.754	2.174
X'd DIR. AXIS TRANSIENT	0.179	0.223
X''d DIR. AXIS SUBTRANSIENT	0.112	0.139
Xq QUAD. AXIS REACTANCE	0.872	1.081
X''q QUAD. AXIS SUBTRANSIENT	0.201	0.249
XL LEAKAGE REACTANCE	0.070	0.087
X2 NEGATIVE SEQUENCE	0.168	0.208
X0 ZERO SEQUENCE	0.076	0.094
T'd TRANSIENT TIME CONST. (s)	0.016	
T''d SUB-TRANSTIME CONST. (s)	0.004	
T'do O.C. FIELD TIME CONST. (s)	0.3	
Ta ARMATURE TIME CONST. (s)	0.005	
SHORT CIRCUIT RATIO	1/ Xd	

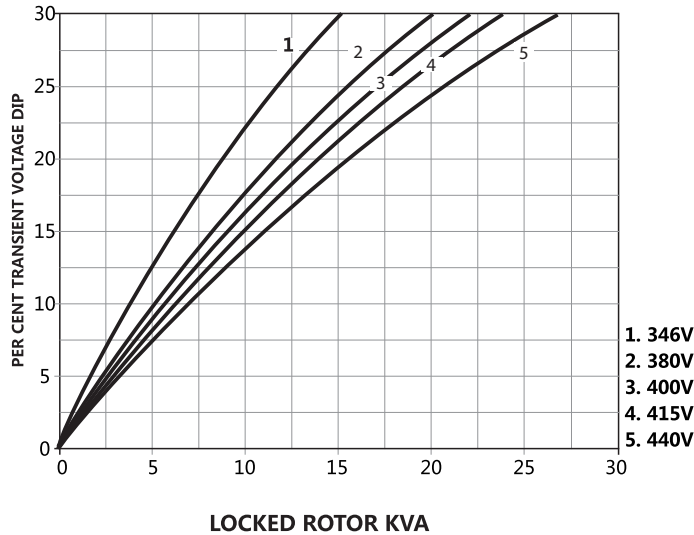
50Hz 400V Winding 311 THREE PHASE EFFICIENCY CURVES



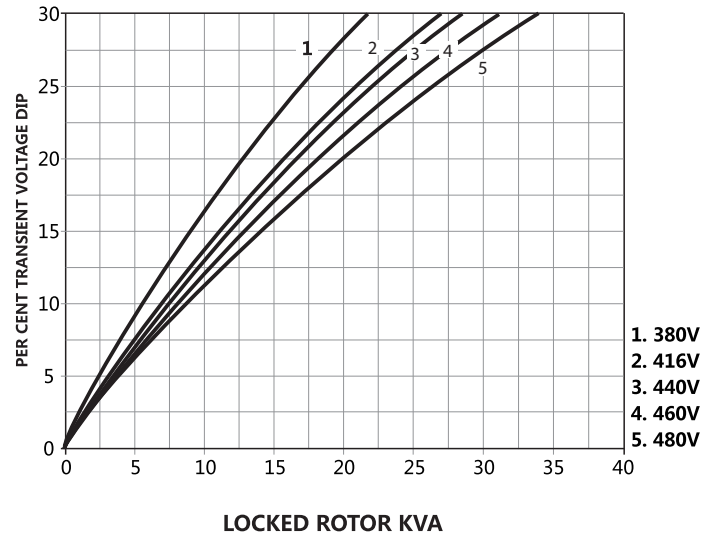
60Hz 440V Winding 311 THREE PHASE EFFICIENCY CURVES



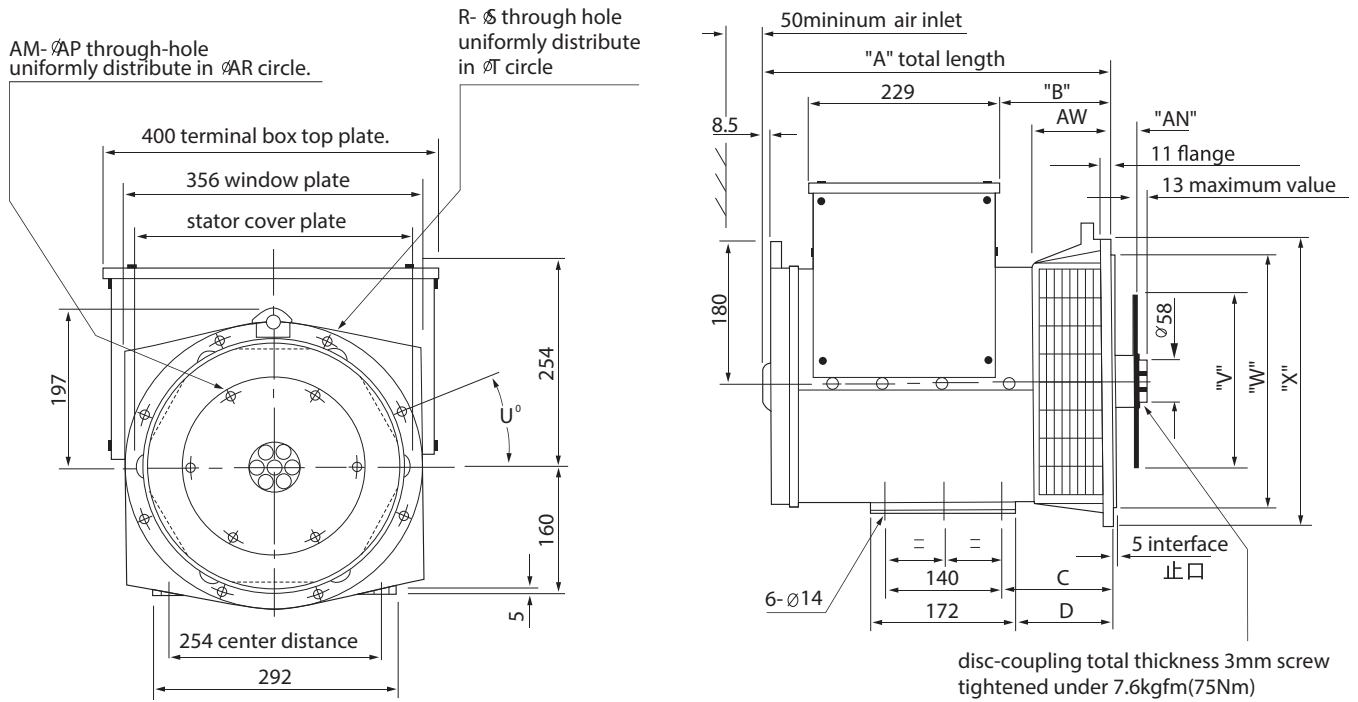
50Hz 400V Winding 311 Locked Rotor Motor Starting Curve



60Hz Winding 311 Locked Rotor Motor Starting Curve



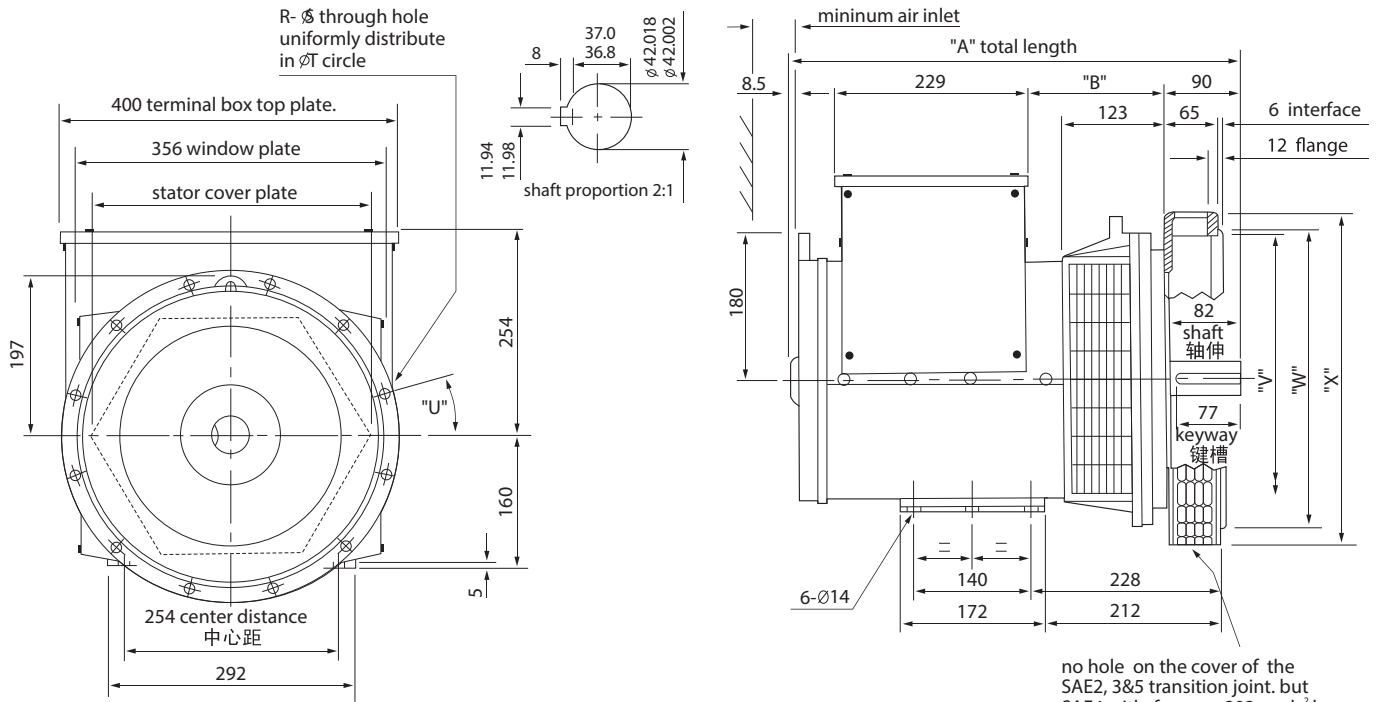
Single bearing external dimension



DIMENSION (mm)									
Model	A					B			
	SAE2	SAE3/5	SAE4	SAE2	SAE3/5	SAE4			
SLG164C	416.3	403.5	391.5	146.3	119	107			
FLANGE (mm)									
S.A.E.NO.	AW	R	S	T	U $^{\circ}$	W	X	C	D
3	105	8	11	428.6	15	409.5	451	145	129
4	93	8	11	381.0	15	361.9	402	133	117
5	105	8	11	333.3	22.5	314.3	356	145	129
6*	124.7	8	11	285.8	22.5	266.7	308	164.7	148.7
DISC COUPLING (mm)									
S.A.E.NO.	AN	AM	AP	AR	V				
6.5	30.16	6	8.7	200.0	215.8				
7.5	30.16	8	8.7	222.2	241.2				
8	61.9	6	11	244.5	263.4				
10	53.98	8	11	295.3	314.2				
11.5	39.68	8	11	333.4	352.3				
SAE NO SELECTOR CHOWT									
	SAE 6.5	SAE 7.5	SAE 8	SAE 10	SAE 11.5				
SAE 3	•	•		•					
SAE 4		•	•	•					
SAE 5	•	•							
SAE 6	•								
TRANSPORTATION DATA									
Model	N.W(kg)	G.W(kg)	LXWXH(cm)	QTY FOR 20FT CONTAINER					
SLG164C	96	110	58x56x62	90					

Note:* "A" dimension should extend 31.77mm corresponding to an additional spacer plate added on SAE6.

Double bearing external dimension



DIMENSION (mm)							
Model		A			B		
SLG164C		511.5			137		
FLANGE (mm)							
S.A.E.NO.	R	S	T	U°	V	W	X
3	12	11	428.6	15	396	409.5	451
4	12	11	381.0	15	352	361.9	403
5	8	11	333.3	22.5	301	314.3	356
TRANSPORTATION DATA							
Model	N.W(kg)	G.W(kg)	LXWXH(cm)		QTY FOR 20FT CONTAINER		
SLG164C	106	116	64x56x62		90		

ISO9001



ITALIAN TECHNOLOGY

www.voltaggio.ae