

V224D Technical Data Sheet

		CONTROL SYSTEM	SELF EXCITED
INSULATION SYSTEM	CLASS H	A.V.R.	AS440
PROTECTION	IP23	VOLTAGE REGULATION	±1.0 %
WINDING PITCH	2/3	SUSTAINED SHORT CIRCUIT	NOT
WINDING LEADS	12	WAVEFORM DISTORTION	NO LOAD < 1.5% NON-DISTORTING BALANCED LINEAR LOAD < 5.0%
MAXIMUM / OVERSPEED	2250 Rev/Min	TELEPHONE INTERFERENCE: THF	THF < 2%
		TELEPHONE INTERFERENCE: TIF	TIF < 50

50Hz CLASS "H"

RATINGS	Winding 311 / 0.8 Power Factor									Winding 05				
	Cont.125K/40°C				Standby - 150/40°					Cont.125K/40°C			Cont.125K/40°C	
PHASE	3 PHASE								1 PHASE			1 PHASE		
SERIES STAR	380	400	415	440	380	400	415	440				Power Factor		
PARALLEL STAR	190	200	208	220	190	200	208	220				0.8	1	
SERIES DELTA	220	230	240	254	220	230	240	254						
DOUBLE DELTA									220	230	240	220, 230, 240		
SLG224D	KVA	50	50	50	37.5	53	53	53	39.1	33.5	33.5	33.5	35.0	35.0
	KW	40	40	40	30	42.4	42.4	42.4	31.3	26.8	26.8	26.8	28.0	35.0

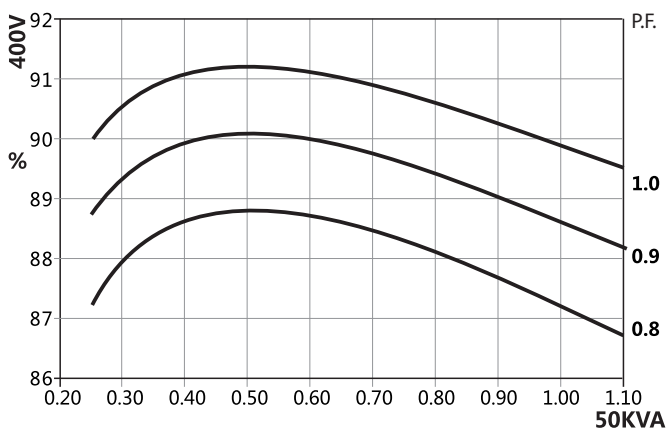
60Hz CLASS "H"

RATINGS	Winding 311 / 0.8 Power Factor									Winding 06				
	Cont.125K/40°C				Standby - 150/40°					Cont.125K/40°C			Cont.125K/40°C	
PHASE	3 PHASE								1 PHASE			1 PHASE		
SERIES STAR	416	440	460	480	416	440	460	480				Power Factor		
PARALLEL STAR	208	220	230	240	208	220	230	240				0.8	1	
SERIES DELTA	240	254	266	277	240	254	266	277						
DOUBLE DELTA									220	230	240	220, 230, 240		
SLG224D	KVA	60	62.5	62.5	65	62.5	65	65	68.8	36.5	38.3	40	40.0	40.0
	KW	48	50	50	52	50	52	52	55	29.2	30.6	32	32.0	40.0

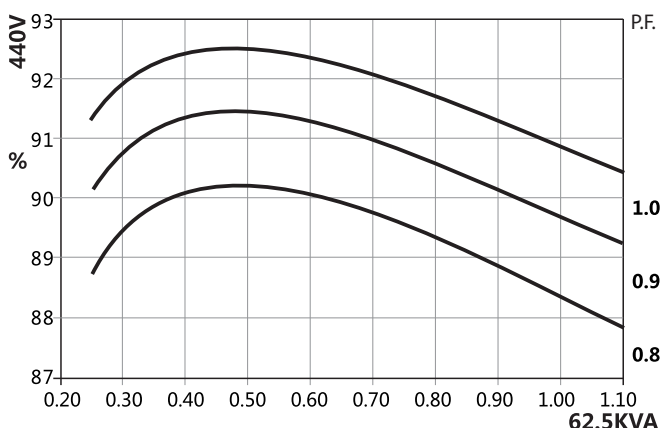
REACTANCES , TIME CONSTANTS (s) : CLASS : H / 400 V

	SLG224D	
	50Hz/400V	60Hz/440V
Xd DIR. AXIS SYNCHRONOUS	2.10	2.83
X'd DIR. AXIS TRANSIENT	0.16	0.20
X''d DIR. AXIS SUBTRANSIENT	0.11	0.14
Xq QUAD. AXIS REACTANCE	0.97	1.30
X''q QUAD. AXIS SUBTRANSIENT	0.13	0.13
XL LEAKAGE REACTANCE	0.06	0.08
X2 NEGATIVE SEQUENCE	0.12	0.13
X0 ZERO SEQUENCE	0.08	0.08
T'd TRANSIENT TIME CONST. (s)	0.027	
T''d SUB-TRANSTIME CONST. (s)	0.006	
T'do O.C. FIELD TIME CONST. (s)	0.7	
Ta ARMATURE TIME CONST. (s)	0.0055	
SHORT CIRCUIT RATIO	1/ Xd	

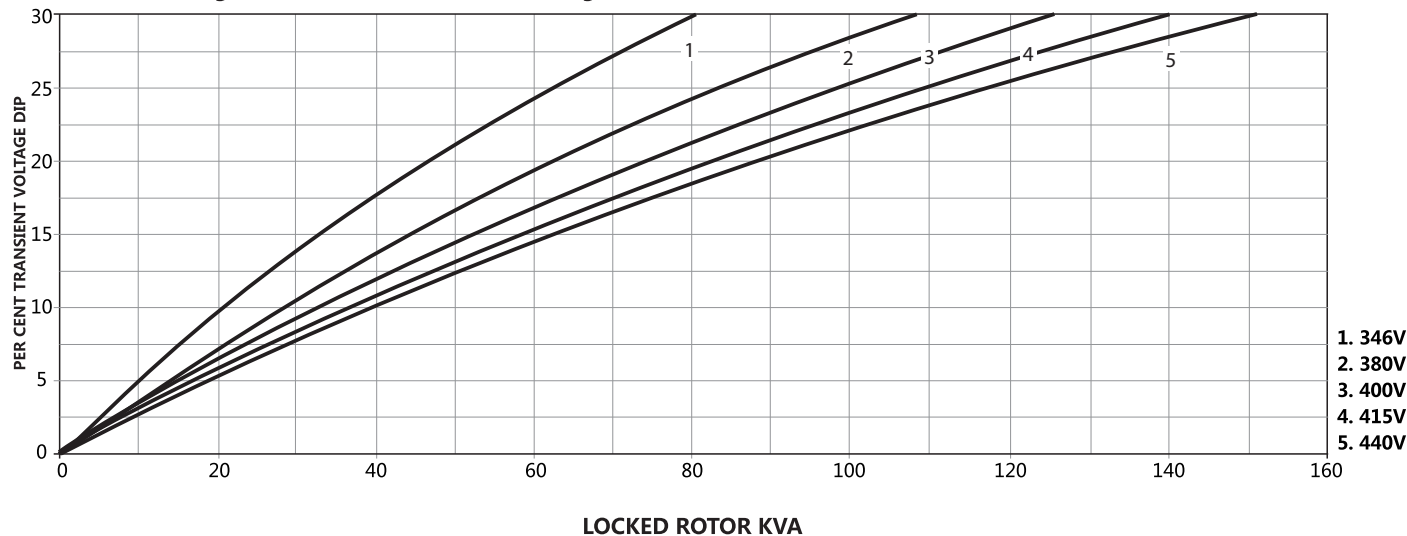
50Hz 400V Winding 311 THREE PHASE EFFICIENCY CURVES



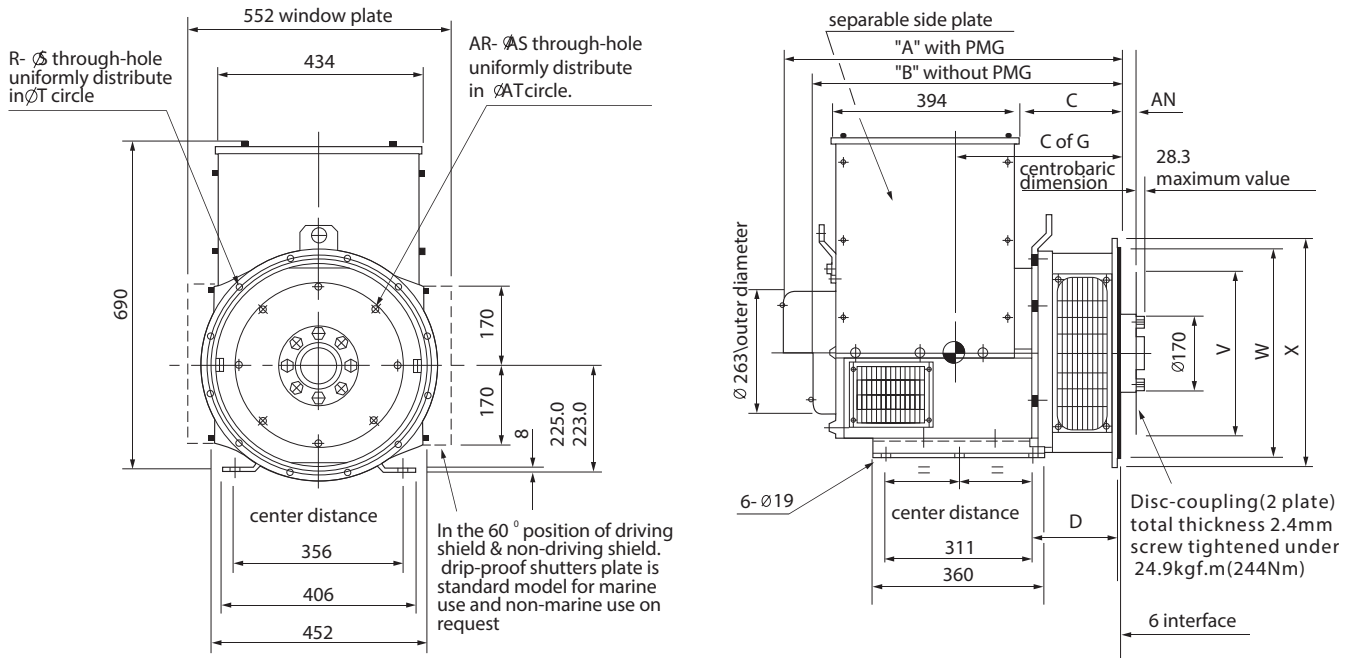
60Hz 440V Winding 311 THREE PHASE EFFICIENCY CURVES



50Hz 400V Winding 311 Locked Rotor Motor Starting Curve



Single bearing external dimension



DIMENSION (mm)

	Model	A	B	C	Cof G
SAE1.2.4	SLG224D	734	671	233.5	333
SAE3	SLG224D	710	647	210	321

DISC COUPLING (mm)

S.A.E.NO.	AN	AR	AS	AT	V
8	61.9	6	10.3	244.4	263.4
10	53.98	8	10.3	295.3	314.2
11.5	39.68	8	10.3	333.3	352.3
14	25.40	8	13.5	438.2	466.6

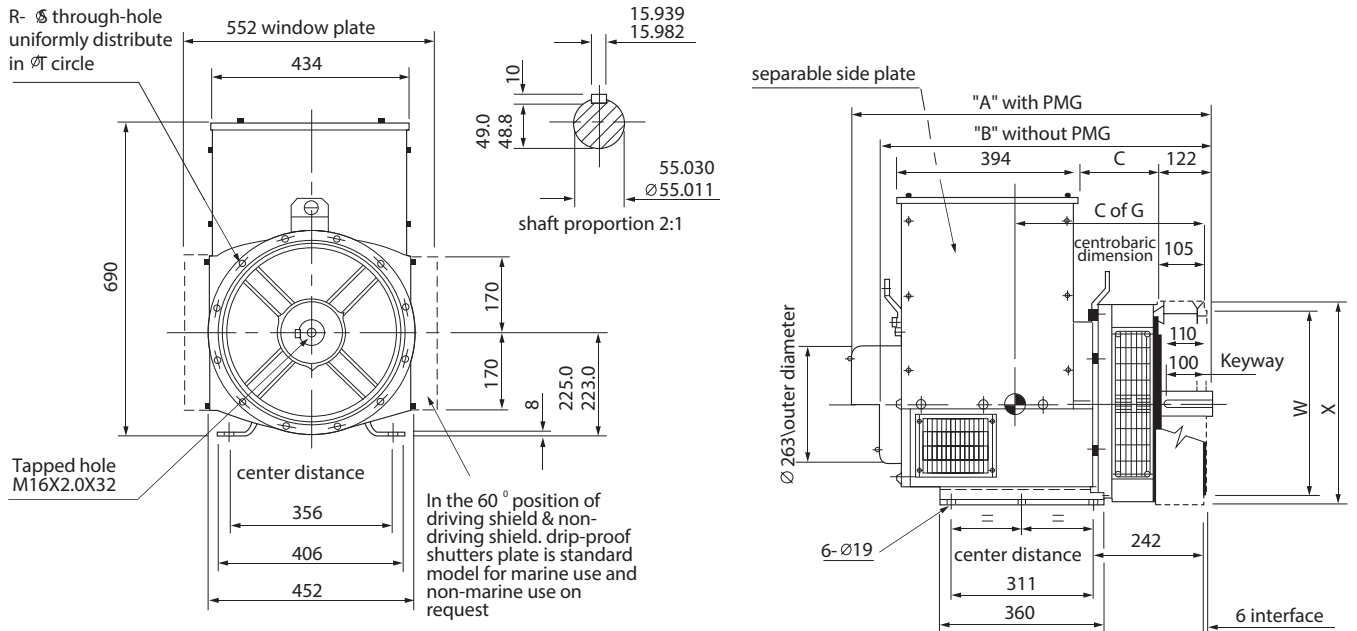
FLANGE (mm)

S.A.E.NO.	D	R	S	T	W	X
1	200.5	12	12.7	530.2	511.1	560
2	200.5	12	11	466.7	447.6	490
3	177	12	11	428.6	409.5	451
4	200.5	8	11	381.0	361.9	450

SAE NO SELECTOR CHOWT

	SAE8	SAE10	SAE11.5
SAE 2			•
SAE 3		•	•
SAE 4	•	•	

Double bearing external dimension



DIMENSION

Model	A	B	C	C of G
SLG224D	792	729	170	378

FLANGE (mm)

S.A.E.NO.	R	S	T	W	X
1	12	12.7	530.2	511.17	553
2	12	11	466.7	447.6	495
3	12	11	428.6	409.5	451
4	8	11	381.0	361.9	403
5	8	11	333.3	314.3	356

TRANSPORTATION DATA

Model	N.W(kg)	G.W(kg)	LXWXH(cm)	QTY FOR 20FT CONTAINER
SLG224D	270	295	108x66x94	

TRANSPORTATION DATA

Model	N.W(kg)	G.W(kg)	LXWXH(cm)	QTY FOR 20FT CONTAINER
SLG224D	250	270	108x66x94	