

V224F Technical Data Sheet

INSULATION SYSTEM	CLASS H	CONTROL SYSTEM	SELF EXCITED
PROTECTION	IP23	A.V.R.	AS440
WINDING PITCH	2/3	VOLTAGE REGULATION	±1.0 %
WINDING LEADS	12	SUSTAINED SHORT CIRCUIT	NOT
MAXIMUM / OVERSPEED	2250 Rev/Min	WAVEFORM DISTORTION	NO LOAD < 1.5% NON-DISTORTING BALANCED LINEAR LOAD < 5.0%
		TELEPHONE INTERFERENCE: THF	THF < 2%
		TELEPHONE INTERFERENCE: TIF	TIF < 50

50Hz CLASS "H"

RATINGS		Winding 311 / 0.8 Power Factor								Winding 05					
Duty/Ambient T° RISE		Cont.125K/40°C				Standby - 150/40°				Cont.125K/40°C			Cont.125K/40°C		
PHASE		3 PHASE								1 PHASE			1 PHASE		
SERIES STAR		380	400	415	440	380	400	415	440					Power Factor	
PARALLEL STAR		190	200	208	220	190	200	208	220					0.8	1
SERIES DELTA		220	230	240	254	220	230	240	254						
DOUBLE DELTA										220	230	240	220, 230, 240		
SLG224F	KVA	72.5	72.5	72.5	55	77	77	77	58	48.5	48.5	48.5	50.0	50.0	
	KW	58	58	58	44	61.6	61.6	61.6	46.4	38.8	38.8	38.8	40.0	50.0	

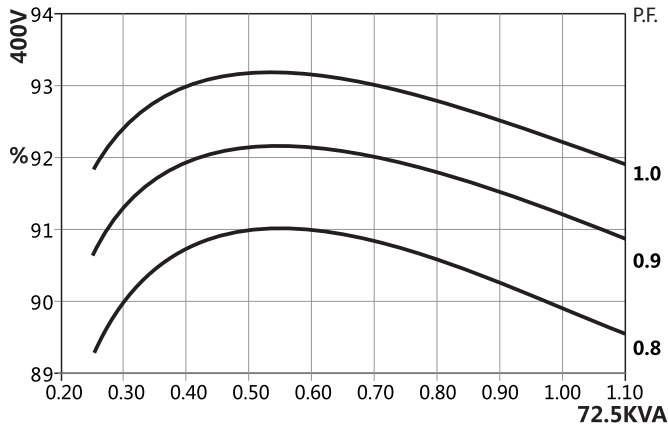
60Hz CLASS "H"

RATINGS		Winding 311 / 0.8 Power Factor								Winding 06					
Duty/Ambient T° RISE		Cont.125K/40°C				Standby - 150/40°				Cont.125K/40°C			Cont.125K/40°C		
PHASE		3 PHASE								1 PHASE			1 PHASE		
SERIES STAR		416	440	460	480	416	440	460	480					Power Factor	
PARALLEL STAR		208	220	230	240	208	220	230	240					0.8	1
SERIES DELTA		240	254	266	277	240	254	266	277						
DOUBLE DELTA										220	230	240	220, 230, 240		
SLG224F	KVA	83.8	87.5	87.5	93.8	88.8	92.5	92.5	100	50	52.5	56	56.9	56.9	
	KW	67	70	70	75	71	74	74	80	40	42	44.8	45.5	56.9	

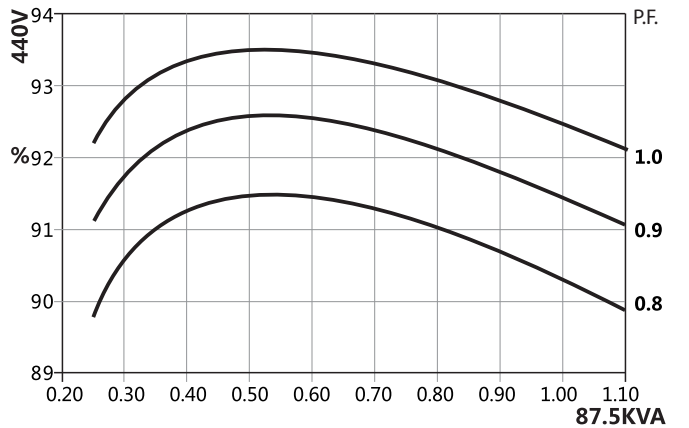
REACTANCES , TIME CONSTANTS (s) : CLASS : H / 400 V

	SLG224F	
	50Hz/400V	60Hz/440V
Xd DIR. AXIS SYNCHRONOUS	2.07	2.35
X'd DIR. AXIS TRANSIENT	0.16	0.20
X''d DIR. AXIS SUBTRANSIENT	0.11	0.13
Xq QUAD. AXIS REACTANCE	0.95	1.08
X''q QUAD. AXIS SUBTRANSIENT	0.14	0.12
XL LEAKAGE REACTANCE	0.06	0.07
X2 NEGATIVE SEQUENCE	0.13	0.12
X0 ZERO SEQUENCE	0.10	0.09
T'd TRANSIENT TIME CONST. (s)	0.03	
T''d SUB-TRANSTIME CONST. (s)	0.008	
T'do O.C. FIELD TIME CONST. (s)	0.75	
Ta ARMATURE TIME CONST. (s)	0.0065	
SHORT CIRCUIT RATIO	1/ Xd	

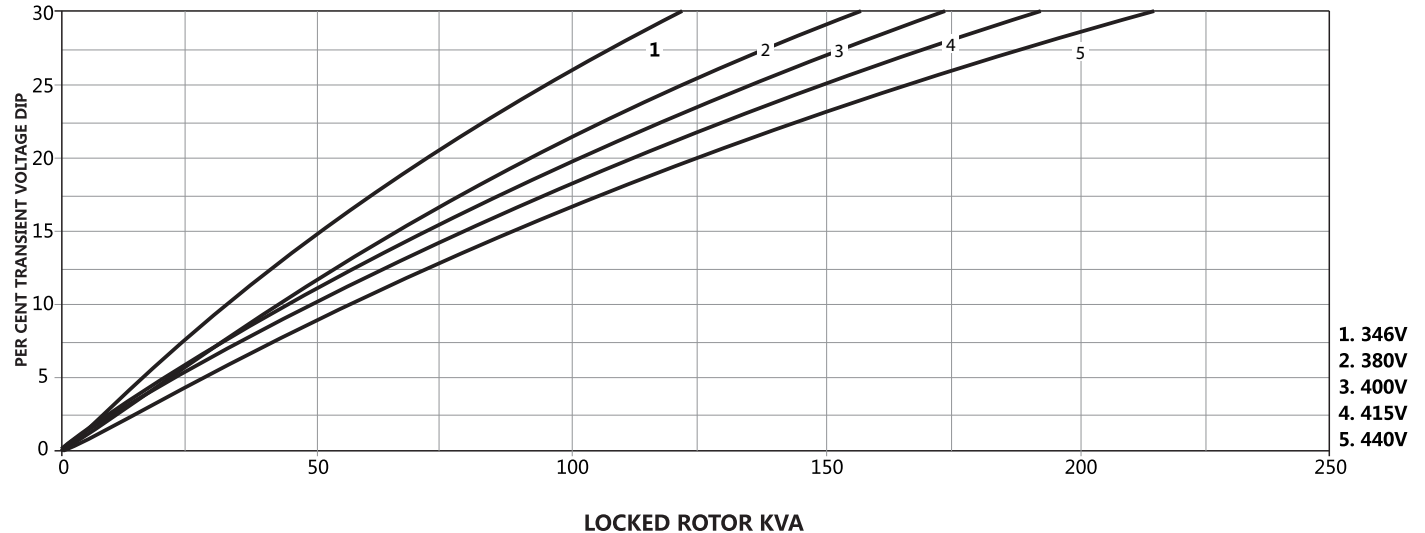
50Hz 400V Winding 311 THREE PHASE EFFICIENCY CURVES



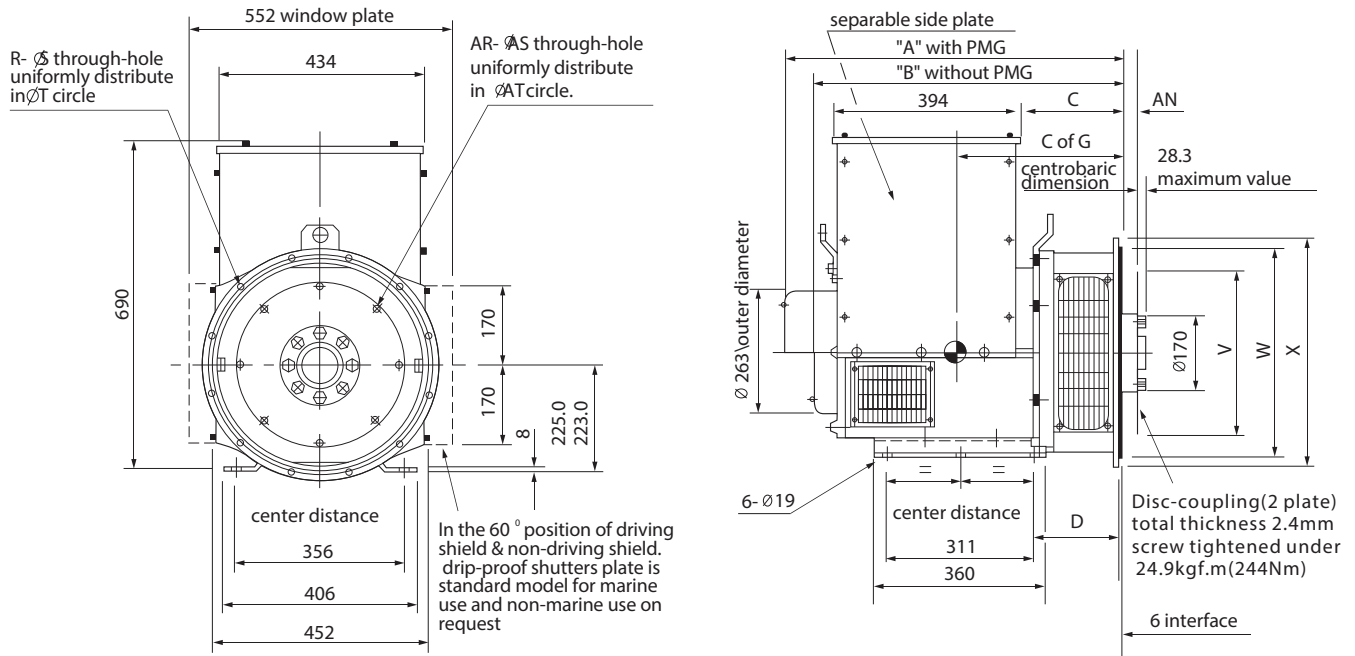
60Hz 440V Winding 311 THREE PHASE EFFICIENCY CURVES



50Hz 400V Winding 311 Locked Rotor Motor Starting Curve



Single bearing external dimension



DIMENSION (mm)

	Model	A	B	C	Cof G
SAE1.2.4	SLG224F	824	761	323.5	358
SAE3	SLG224F	800	737	300	346

DISC COUPLING (mm)

S.A.E.NO.	AN	AR	AS	AT	V
8	61.9	6	10.3	244.4	263.4
10	53.98	8	10.3	295.3	314.2
11.5	39.68	8	10.3	333.3	352.3
14	25.40	8	13.5	438.2	466.6

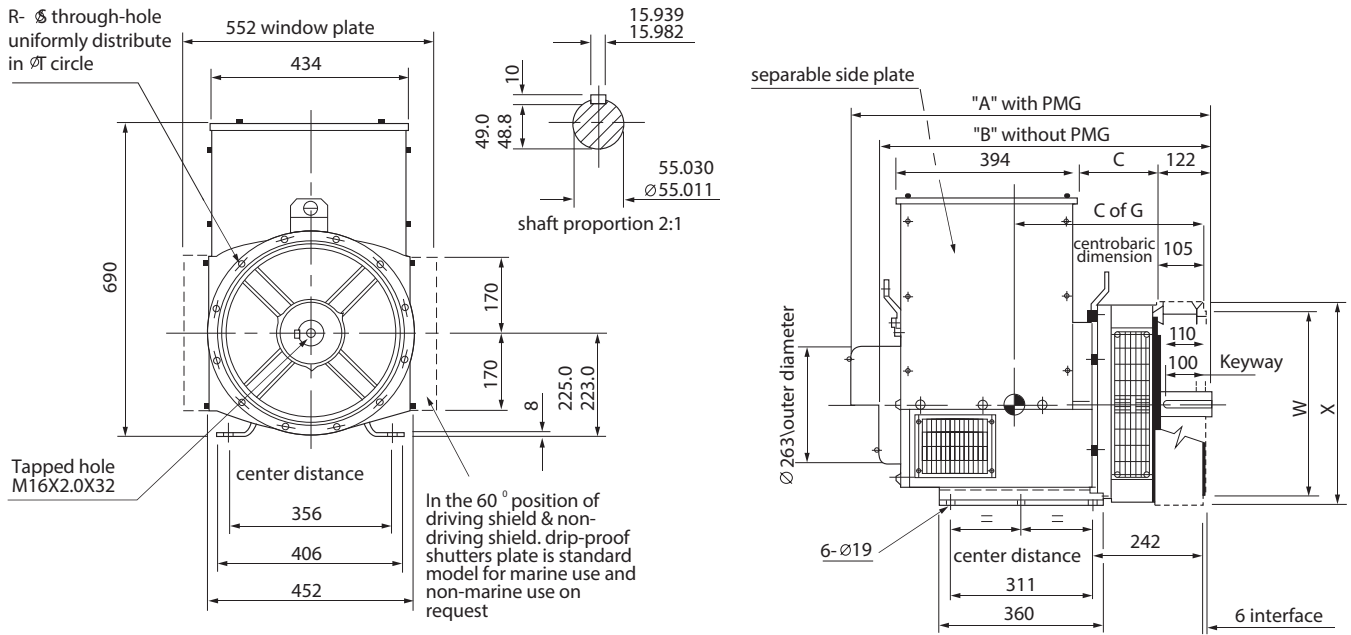
FLANGE (mm)

S.A.E.NO.	D	R	S	T	W	X
1	200.5	12	12.7	530.2	511.1	560
2	200.5	12	11	466.7	447.6	490
3	177	12	11	428.6	409.5	451
4	200.5	8	11	381.0	361.9	450

SAE NO SELECTOR CHOWT

	SAE8	SAE10	SAE11.5
SAE 2			•
SAE 3		•	•
SAE 4	•	•	

Double bearing external dimension



DIMENSION

Model	A	B	C	C of G
SLG224F	882	819	260	403

FLANGE (mm)

S.A.E.NO.	R	S	T	W	X
1	12	12.7	530.2	511.17	553
2	12	11	466.7	447.6	495
3	12	11	428.6	409.5	451
4	8	11	381.0	361.9	403
5	8	11	333.3	314.3	356

TRANSPORTATION DATA

Model	N.W(kg)	G.W(kg)	LXWXH(cm)	QTY FOR 20FT CONTAINER
SLG224F	320	345	108x66x94	

TRANSPORTATION DATA

Model	N.W(kg)	G.W(kg)	LXWXH(cm)	QTY FOR 20FT CONTAINER
SLG224F	310	330	108x66x94	