

## V314D Technical Data Sheet

INSULATION SYSTEM	CLASS H	CONTROL SYSTEM	SELF EXCITED
PROTECTION	IP23	A.V.R.	AS440
WINDING PITCH	2/3	VOLTAGE REGULATION	±1.0 %
WINDING LEADS	12	SUSTAINED SHORT CIRCUIT	NOT
MAXIMUM / OVERSPEED	2250 Rev/Min	WAVEFORM DISTORTION	NO LOAD < 1.5% NON-DISTORTING BALANCED LINEAR LOAD < 5.0%
		TELEPHONE INTERFERENCE: THF	THF < 2%
		TELEPHONE INTERFERENCE: TIF	TIF < 50

### 50Hz CLASS "H"

RATINGS		Winding 311 / 0.8 Power Factor							
Duty/Ambient T°. RISE		Cont.125K/40°C				Standby - 150/40°			
PHASE		3 PHASE							
SERIES STAR		380	400	415	440	380	400	415	440
PARALLEL STAR		190	200	208	220	190	200	208	220
SERIES DELTA		220	230	240	254	220	230	240	254
DOUBLE DELTA									
SLG314D	KVA	300	295	300	300	320	320	310	320
	KW	240	236	240	240	256	256	248	256

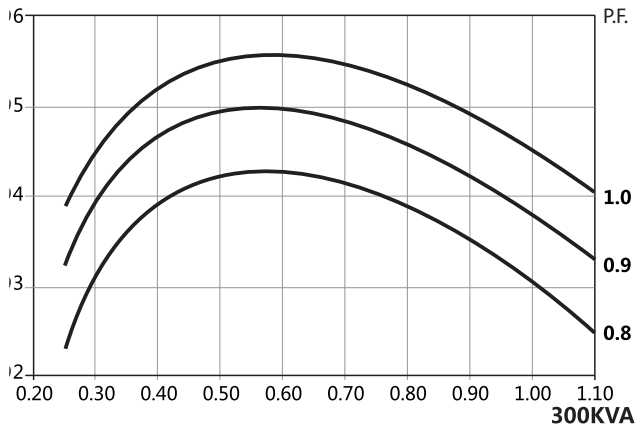
### 60Hz CLASS "H"

RATINGS		Winding 311 / 0.8 Power Factor							
Duty/Ambient T°. RISE		Cont.125K/40°C				Standby - 150/40°			
PHASE		3 PHASE							
SERIES STAR		416	440	460	480	416	440	460	480
PARALLEL STAR		208	220	230	240	208	220	230	240
SERIES DELTA		240	254	266	277	240	254	266	277
DOUBLE DELTA									
SLG314D	KVA	331	350	350	350	365	385	400	400
	KW	265	280	280	280	292	308	320	320

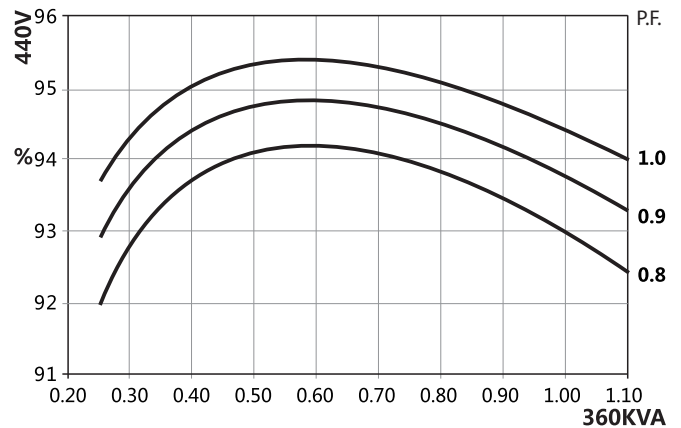
**ACTANCES , TIME CONSTANTS (s) : CLASS : H / 400 V**

	SLG314D	
	50Hz/400V	60Hz/440V
Xd DIR. AXIS SYNCHRONOUS	2.85	3.37
X'd DIR. AXIS TRANSIENT	0.18	0.21
X''d DIR. AXIS SUBTRANSIENT	0.13	0.14
Xq QUAD. AXIS REACTANCE	2.40	2.89
X''q QUAD. AXIS SUBTRANSIENT	0.36	0.38
XL LEAKAGE REACTANCE	0.06	0.09
X2 NEGATIVE SEQUENCE	0.24	0.27
X0 ZERO SEQUENCE	0.09	0.09
T'd TRANSIENT TIME CONST. (s)	0.08	
T''d SUB-TRANSTIME CONST. (s)	0.019	
T'do O.C. FIELD TIME CONST. (s)	1.7	
Ta ARMATURE TIME CONST. (s)	0.018	
SHORT CIRCUIT RATIO	1/ Xd	

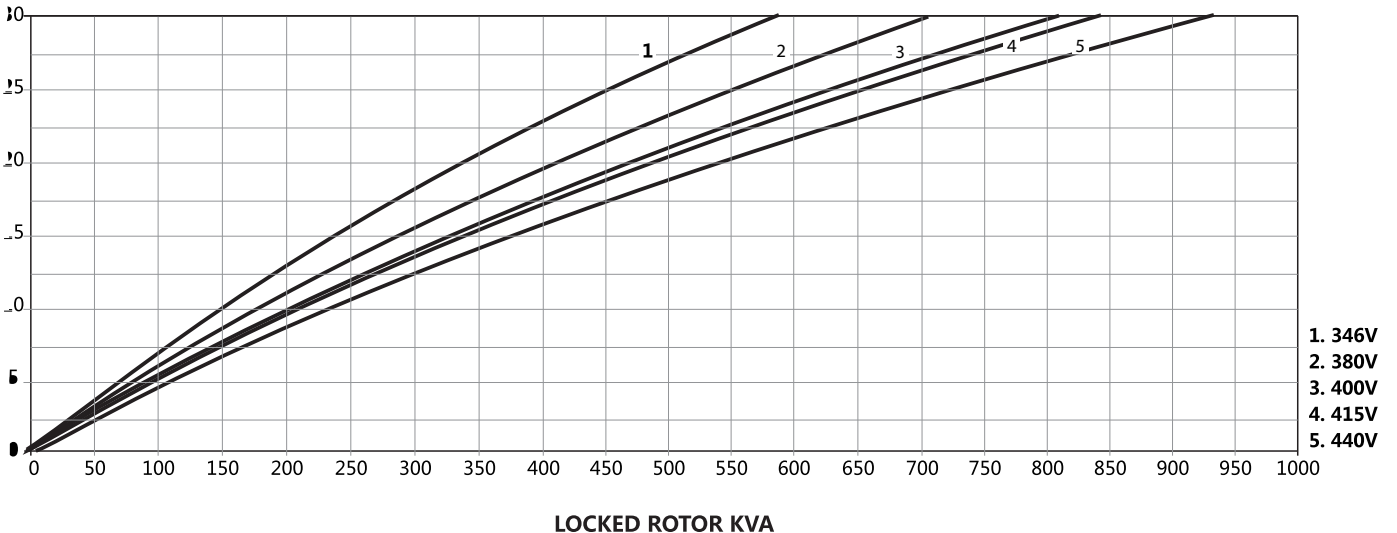
**z 400V Winding 311 THREE PHASE EFFICIENCY CURVES**



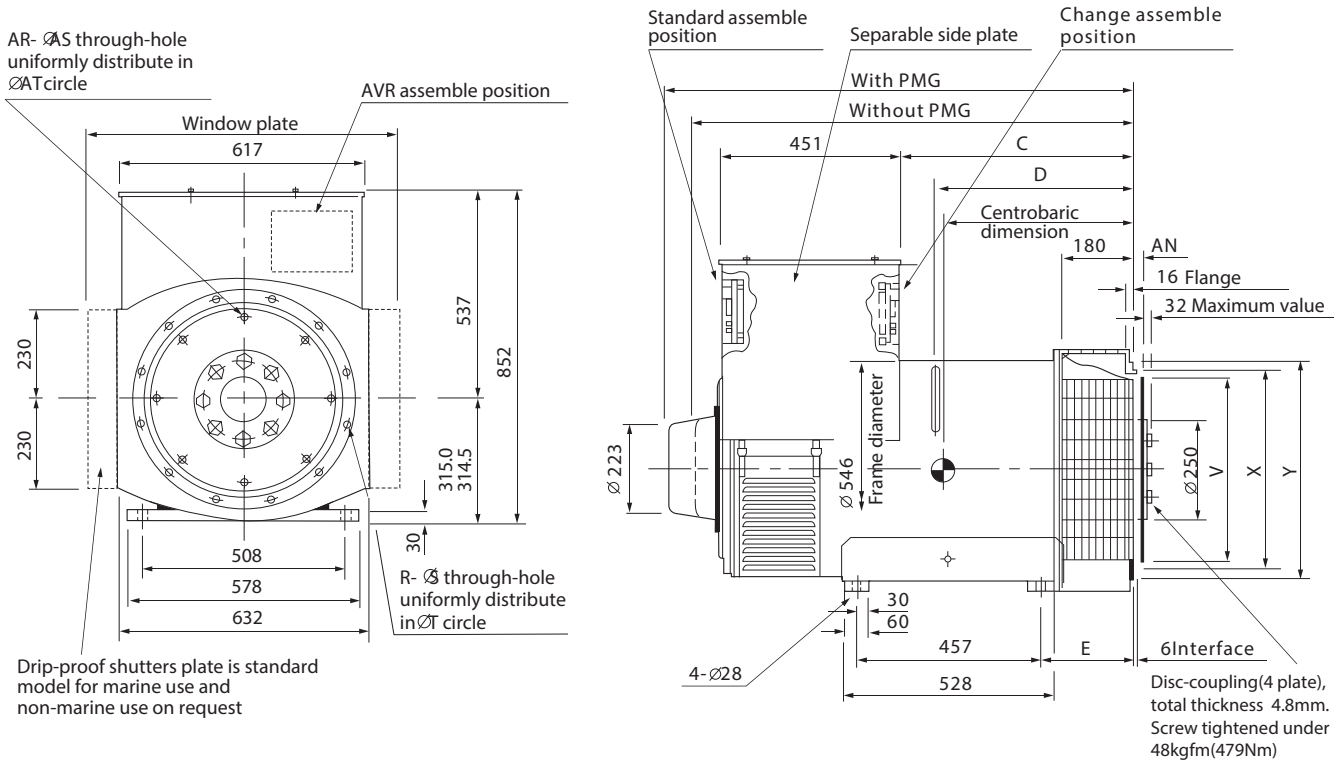
**60Hz 440V Winding 311 THREE PHASE EFFICIENCY CURVES**



**z 400V Winding 311 Locked Rotor Motor Starting Curve**



## Single bearing external dimension



DIMENSION (mm)								
Model	A		B		C		D	
	SAE1/2/0.5	SAE0	SAE1/2/0.5	SAE0	SAE1/2/0.5	SAE0	SAE1/2/0.5	SAE0
SLG314D	1172	1202	1101	1131	584	614	493	523

DISC COUPLING (mm)					
S.A.E.NO.	AN	AR	AS	AT	V
11.5	39.68	8	10.3	333.4	352.3
14	25.40	8	13.5	438.2	466.6
18	15.87	6	16.7	543.0	571.4

FLANGE (mm)						
S.A.E.NO.	R	S	T	X	Y	E
0	16	14	679.5	647.6	720	252
1/2	12	14	619.1	584.1	670	232
1	12	12.7	530.2	511.1	617	232
2	12	11	466.7	447.6	617	232

SAE NO SELECTOR CHOWT			
	SAE11.5	SAE14	SAE18
SAE 0		•	•
SAE 0.5		•	
SAE 1	•	•	
SAE 2	•		

TRANSPORTATION DATA				
Model	N.W(kg)	G.W(kg)	LXWXH(cm)	QTY FOR 20FT CONTAINER
SLG314D	890	940	133.2x78.2x107.5	22