

V404A Technical Data Sheet

| | | | |
|-------------------|--------------|-----------------------------|---|
| | CLASS H | CONTROL SYSTEM | SELF EXCITED |
| INSULATION SYSTEM | CLASS H | A.V.R. | AS440 |
| PROTECTION | IP23 | VOLTAGE REGULATION | ±1.0 % |
| WINDING PITCH | TWO THIRDS | SUSTAINED SHORT CIRCUIT | NOT |
| INDING LEADS | 12 | WAVEFORM DISTORTION | NO LOAD < 1.5% NON-DISTORTING BALANCED LINEAR LOAD < 5.0% |
| MAXIMUM OVERSPEED | 2250 Rev/Min | TELEPHONE INTERFERENCE: THF | THF < 2% |
| | | TELEPHONE INTERFERENCE: TIF | TIF < 50 |

50Hz CLASS "H"

| RATINGS | | Winding 311 / 0.8 Power Factor | | | | | |
|------------------------|-----|--------------------------------|-----|-----|--------------------|-------|-------|
| Duty/Ambiant T° . RISE | | Cont.125K/40 °C | | | Standby - 150/40 ° | | |
| PHASE | | 3 PHASE | | | | | |
| SERIES STAR | | 380 | 400 | 415 | 380 | 400 | 415 |
| PARALLEL STAR | | 190 | 200 | 208 | 190 | 200 | 208 |
| SERIES DELTA | | 220 | 230 | 240 | 220 | 230 | 240 |
| SLG404A | KVA | 750 | 750 | 750 | 787.5 | 787.5 | 787.5 |
| | KW | 600 | 600 | 600 | 630 | 630 | 630 |

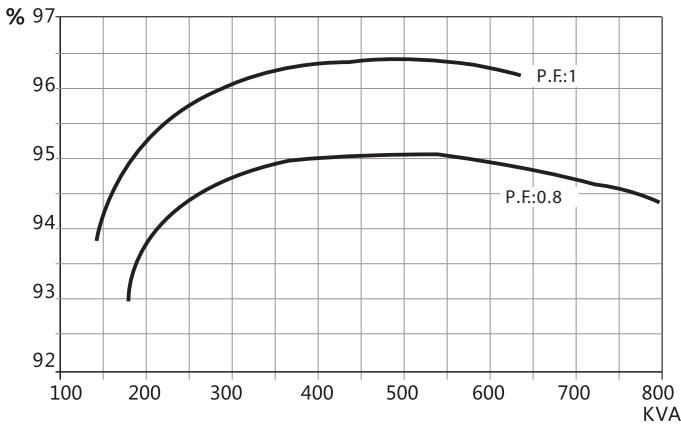
60Hz CLASS "H"

| RATINGS | | Winding 311 / 0.8 Power Factor | | | | | | | |
|------------------------|-----|--------------------------------|-----|-----|--------------------|-----|-----|-----|-----|
| Duty/Ambiant T° . RISE | | Cont.125K/40 °C | | | Standby - 150/40 ° | | | | |
| PHASE | | 3 PHASE | | | | | | | |
| SERIES STAR | | 416 | 440 | 460 | 480 | 416 | 440 | 460 | 480 |
| PARALLEL STAR | | 208 | 220 | 230 | 240 | 208 | 220 | 230 | 240 |
| SERIES DELTA | | 240 | 254 | 266 | 277 | 240 | 254 | 266 | 277 |
| | KVA | 800 | 800 | 800 | | 840 | 840 | 840 | |
| | KW | 640 | 640 | 640 | | 672 | 672 | 672 | |

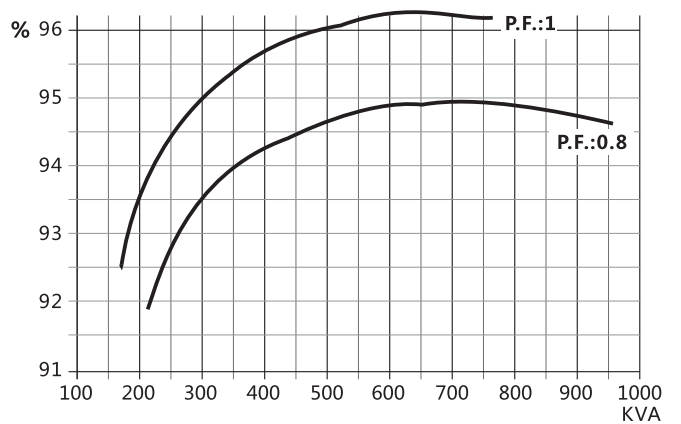
REACTANCES , TIME CONSTANTS (s) : CLASS : H / 400 V

| | SLG404A | |
|---------------------------------|-----------|-----------|
| | 50Hz/400V | 60Hz/440V |
| Xd DIR. AXIS SYNCHRONOUS | 4.11 | 4.29 |
| X'd DIR. AXIS TRANSIENT | 0.453 | 0.472 |
| X''d DIR. AXIS SUBTRANSIENT | 0.226 | 0.236 |
| Xq QUAD. AXIS REACTANCE | 2.72 | 2.83 |
| X''q QUAD. AXIS SUBTRANSIENT | 0.215 | 0.215 |
| XL LEAKAGE REACTANCE | | |
| X2 NEGATIVE SEQUENCE | 0.182 | 0.182 |
| X0 ZERO SEQUENCE | 0.025 | 0.025 |
| T'd TRANSIENT TIME CONST. (s) | 0.16 | |
| T''d SUB-TRANSTIME CONST. (s) | 0.016 | |
| T'do O.C. FIELD TIME CONST. (s) | 1.5 | |
| Ta ARMATURE TIME CONST. (s) | 0.024 | |
| SHORT CIRCUIT RATIO | 1/ Xd | |

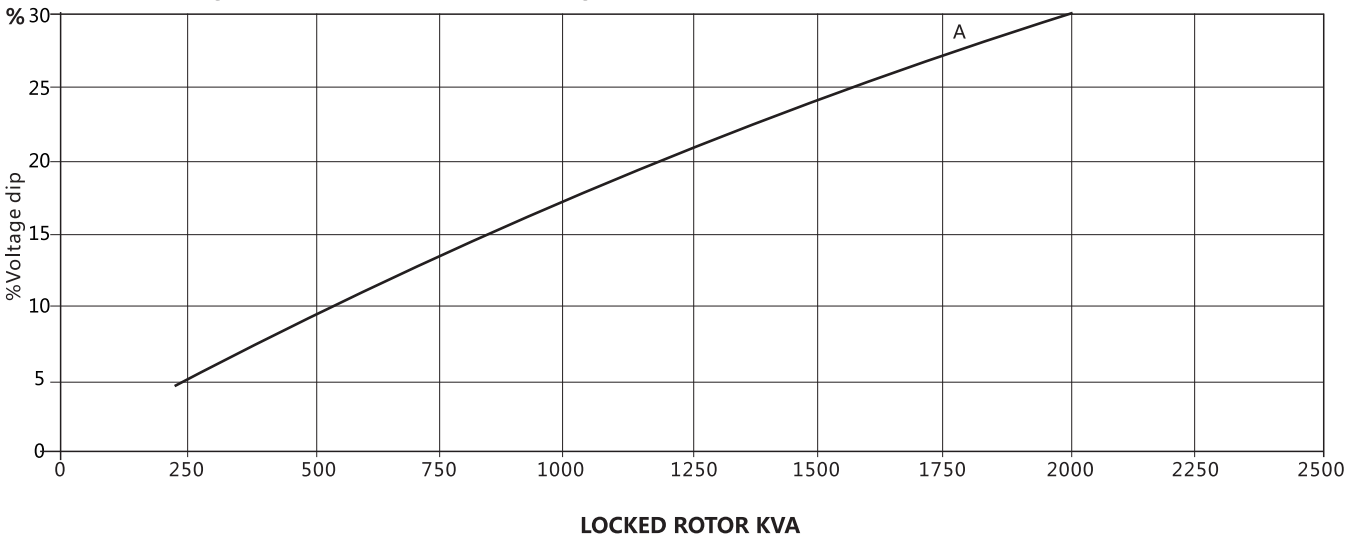
50Hz 400V Winding 311 THREE PHASE EFFICIENCY CURVES

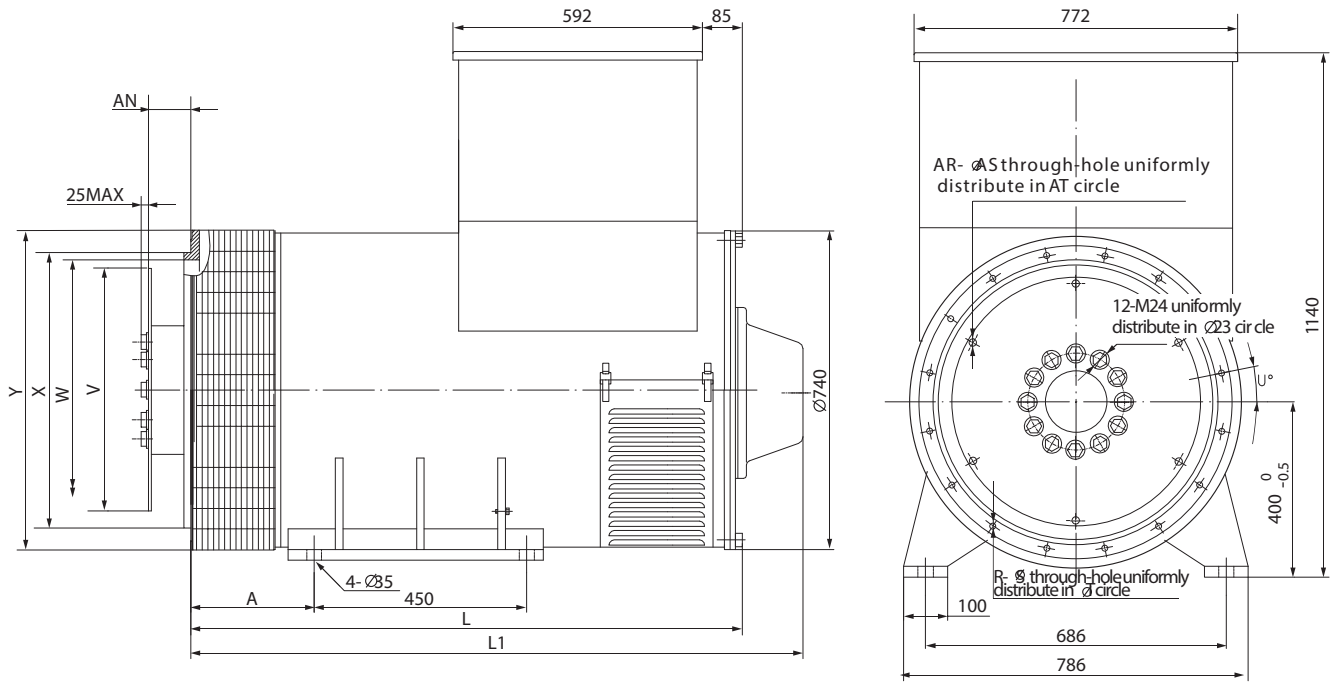


60Hz 440V Winding 311 THREE PHASE EFFICIENCY CURVES



50Hz 400V Winding 311 Locked Rotor Motor Starting Curve





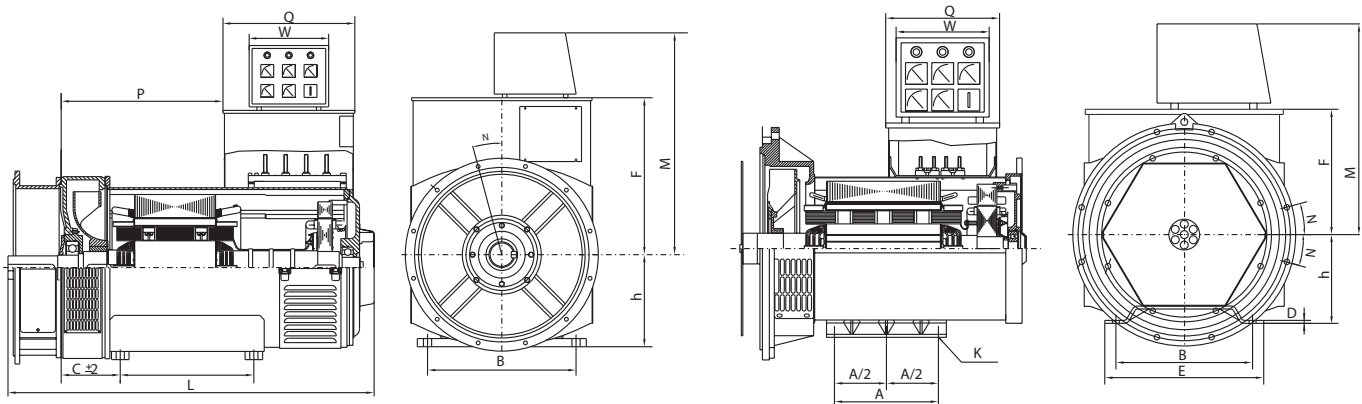
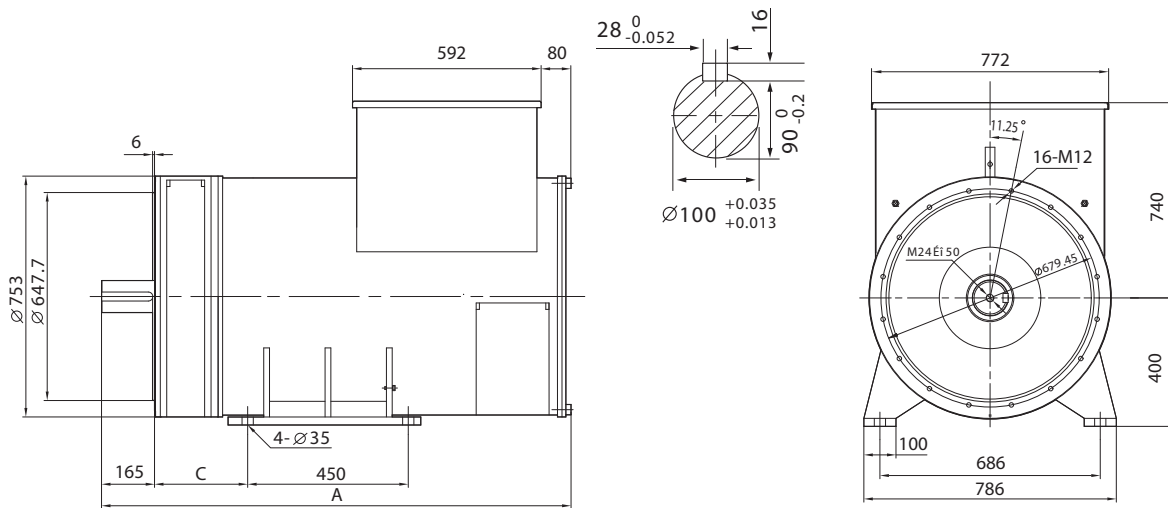
| DIMENSION (mm) | | | | |
|----------------|---------|-----|------|------|
| SAE00 | Model | A | L | L1 |
| | SLG404A | 347 | 1385 | 1550 |
| SAE0&0.5&1 | SLG404A | 337 | 1375 | 1540 |

| FLANGE | | | | | | | |
|-----------|----|------|-------|-----|-------|-----|-------|
| S.A.E.NO. | R | S | T | W | X | Y | U |
| 00 | 16 | 14 | 851.0 | 750 | 787.3 | 882 | 11.25 |
| 0 | 16 | 14 | 679.5 | 632 | 647.6 | 748 | 11.25 |
| 1/2 | 12 | 14 | 619.1 | 560 | 584.1 | 748 | 15 |
| 1 | 12 | 12.7 | 530.2 | 495 | 511.1 | 748 | 15 |

| DISC COUPLING (mm) | | | | | | |
|--------------------|-------|----|------|-------|-------|--|
| S.A.E.NO. | AN | AR | AS | AT | V | |
| 14 | 25.4 | 8 | 13.5 | 438.2 | 466.6 | |
| 18 | 15.87 | 6 | 16.7 | 543.0 | 571.4 | |
| 21 | 0 | 12 | 16.7 | 641.3 | 673.0 | |

| SAE NO SELECTOR CHOWT | | | |
|-----------------------|-------|-------|-------|
| | SAE14 | SAE18 | SAE21 |
| SAE 00 | | • | • |
| SAE 0 | • | • | |
| SAE 0.5 | • | | |
| SAE 1 | • | | |

| TRANSPORTATION DATA | | | | |
|---------------------|---------|---------|-----------|------------------------|
| Model | N.W(kg) | G.W(kg) | LXWXH(cm) | QTY FOR 20FT CONTAINER |
| | | | | |



| Frame (mm) | | | | |
|------------|-----|------|---------|---------|
| Model | C | A | N.W(kg) | G.W(kg) |
| v404A | 317 | 1530 | 1426 | 1526 |

| Frame (mm) | | | | | | | | | | | | | | | |
|------------|-----|-----|---|-----|-----|-----|-------|-----|-----|-----|-----|-----|---|---|---|
| Model | A | A/2 | D | E | F | h | K | M | N | Q | W | B | P | C | L |
| v404A | 450 | | | 786 | 608 | 400 | 4-Ø35 | 840 | 15° | 570 | 350 | 686 | | | |

| TRANSPORTATION DATA | | | | |
|---------------------|---------|---------|-----------|------------------------|
| Model | N.W(kg) | G.W(kg) | LXWXH(cm) | QTY FOR 20FT CONTAINER |
| 404A | | | | |