

V404J Technical Data Sheet

INSULATION SYSTEM	CLASS H	CONTROL SYSTEM	SELF EXCITED
PROTECTION	IP23	A.V.R.	AS440
WINDING PITCH	TWO THIRDS	VOLTAGE REGULATION	±1.0 %
INDING LEADS	12	SUSTAINED SHORT CIRCUIT	NOT
MAXIMUM OVERSPEED	2250 Rev/Min	WAVEFORM DISTORTION	NO LOAD < 1.5% NON-DISTORTING BALANCED LINEAR LOAD < 5.0%
		TELEPHONE INTERFERENCE: THF	THF < 2%
		TELEPHONE INTERFERENCE: TIF	TIF < 50

50Hz CLASS "H"

RATINGS		Winding 311 / 0.8 Power Factor					
Duty/Ambiant T° . RISE		Cont.125K/40 °C			Standby - 150/40 °		
PHASE		3 PHASE					
SERIES STAR		380	400	415	380	400	415
PARALLEL STAR		190	200	208	190	200	208
SERIES DELTA		220	230	240	220	230	240
SLG404J	KVA	1000	1000	1000	1050	1050	1050
	KW	800	800	800	840	840	840

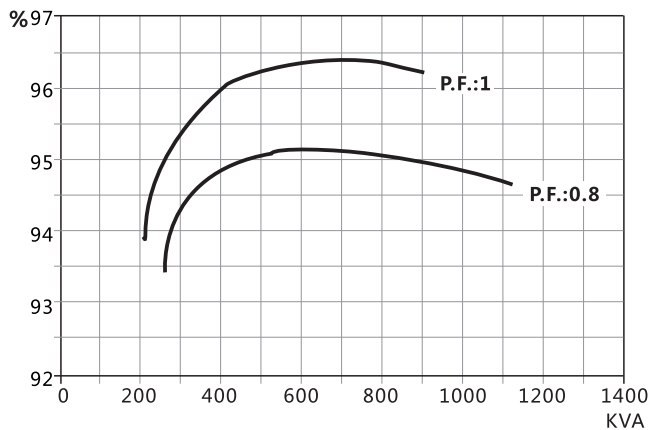
60Hz CLASS "H"

RATINGS		Winding 311 / 0.8 Power Factor							
Duty/Ambiant T° . RISE		Cont.125K/40 °C			Standby - 150/40 °				
PHASE		3 PHASE							
SERIES STAR		416	440	460	480	416	440	460	480
PARALLEL STAR		208	220	230	240	208	220	230	240
SERIES DELTA		240	254	266	277	240	254	266	277
SLG404J	KVA	1125	1125	1125		1181	1181	1181	
	KW	900	900	900		945	945	945	

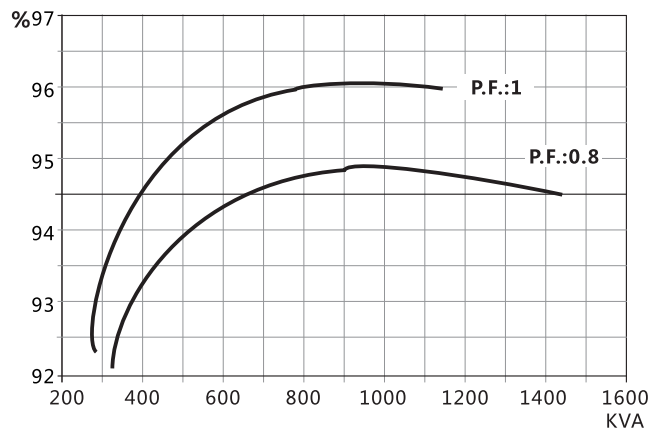
REACTANCES , TIME CONSTANTS (s) : CLASS : H / 400 V

	SLG404J	
	50Hz/400V	60Hz/440V
Xd DIR. AXIS SYNCHRONOUS	3.44	3.59
X'd DIR. AXIS TRANSIENT	0.37	0.385
X''d DIR. AXIS SUBTRANSIENT	0.185	0.192
Xq QUAD. AXIS REACTANCE	2.27	2.38
X''q QUAD. AXIS SUBTRANSIENT	0.180	0.18
XL LEAKAGE REACTANCE		
X2 NEGATIVE SEQUENCE	0.154	0.154
X0 ZERO SEQUENCE	0.025	0.025
T'd TRANSIENT TIME CONST. (s)	0.18	
T''d SUB-TRANSTIME CONST. (s)	0.016	
T'do O.C. FIELD TIME CONST. (s)	1.5	
Ta ARMATURE TIME CONST. (s)	0.024	
SHORT CIRCUIT RATIO	1/ Xd	

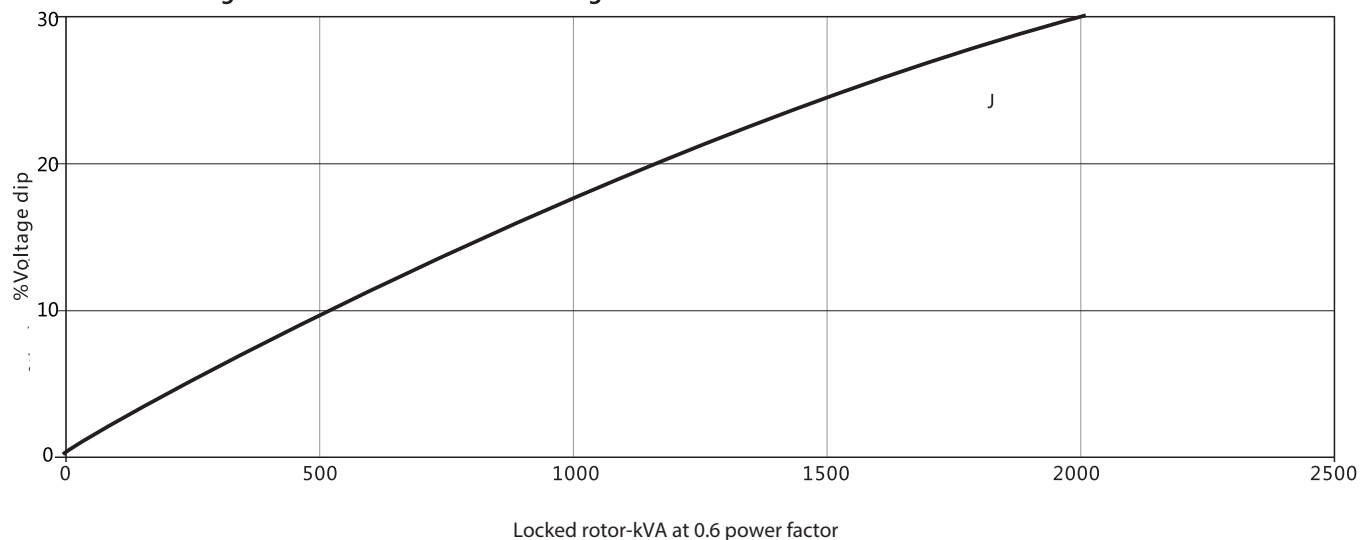
50Hz 400V Winding 311 THREE PHASE EFFICIENCY CURVES

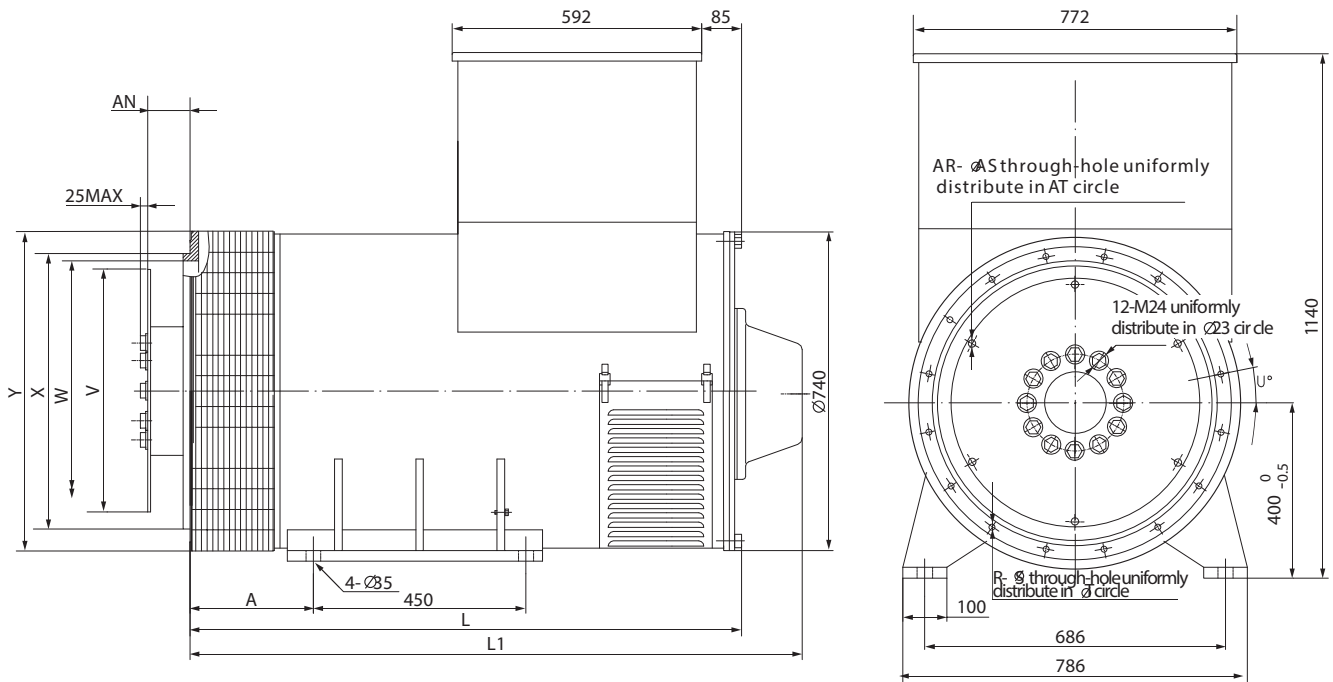


60Hz 440V Winding 311 THREE PHASE EFFICIENCY CURVES



50Hz 400V Winding 311 Locked Rotor Motor Starting Curve





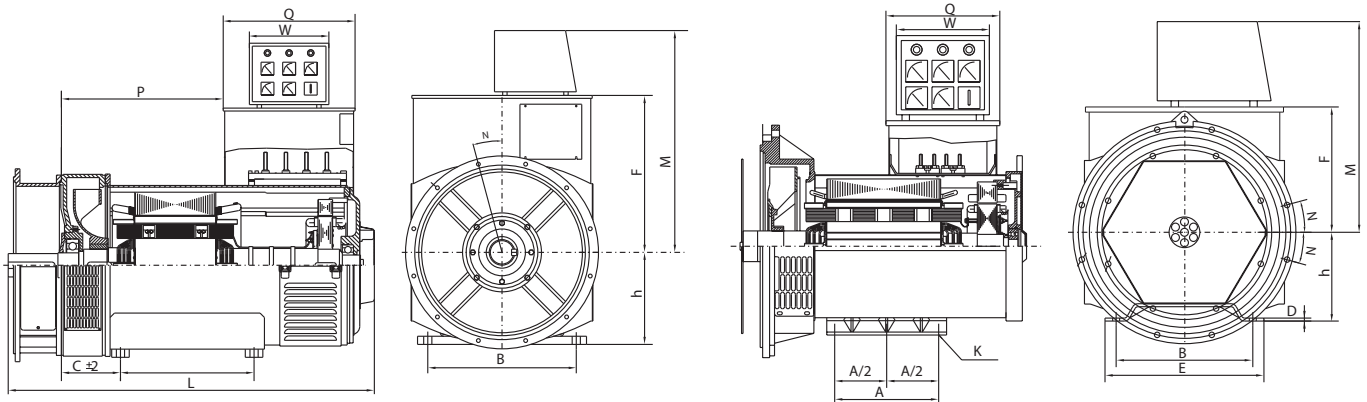
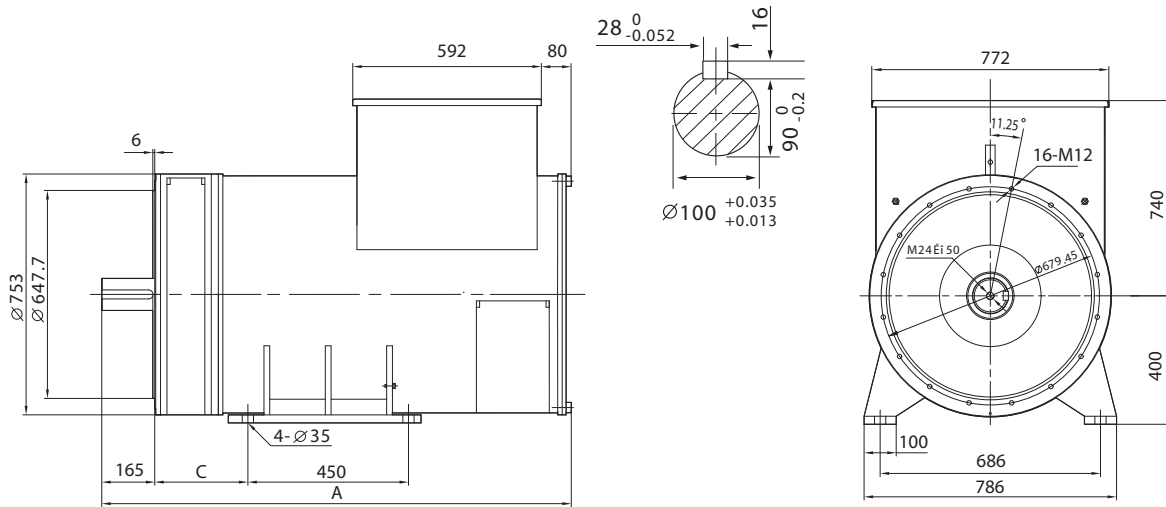
DIMENSION (mm)				
SAE00	Model	A	L	L1
	SLG404J	477	1585	1750
SAE0&0.5&1	SLG404J	467	1575	1740

FLANGE (mm)							
S.A.E.NO.	R	S	T	W	X	Y	U
00	16	14	851.0	750	787.3	882	11.25
0	16	14	679.5	632	647.6	748	11.25
1/2	12	14	619.1	560	584.1	748	15
1	12	12.7	530.2	495	511.1	748	15

DISC COUPLING						
S.A.E.NO.	AN	AR	AS	AT	V	
14	25.4	8	13.5	438.2	466.6	
18	15.87	6	16.7	543.0	571.4	
21	0	12	16.7	641.3	673.0	

SAE NO SELECTOR CHOWT			
	SAE14	SAE18	SAE21
SAE 00		•	•
SAE 0	•		
SAE 0.5	•		
SAE 1	•		

TRANSPORTATION DATA				
Model	N.W(kg)	G.W(kg)	LXWXH(cm)	QTY FOR 20FT CONTAINER
404J				



Frame (mm)				
Model	C	A	N.W(kg)	G.W(kg)
404J	447	1730	1975	2075

Frame (mm)															
Model	A	A/2	D	E	F	h	K	M	N	Q	W	B	P	C	L
404J	450			786	608	400	4-Ø35	840	15°	570	350	686			

TRANSPORTATION DATA				
Model	N.W(kg)	G.W(kg)	LXWXH(cm)	QTY FOR 20FT CONTAINER
404J				